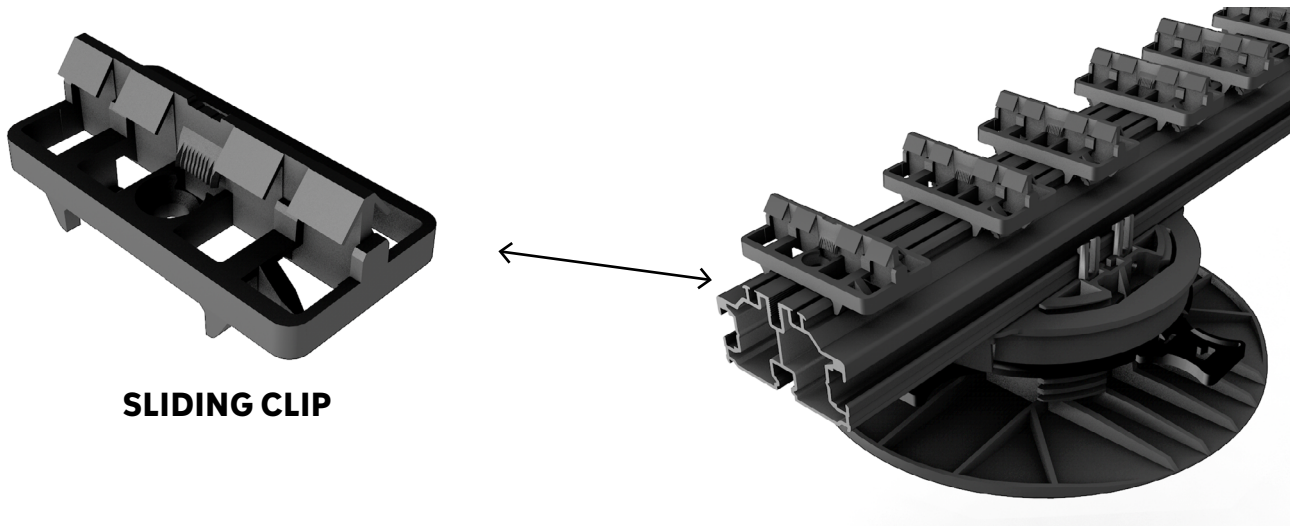


SLIDING CLIP

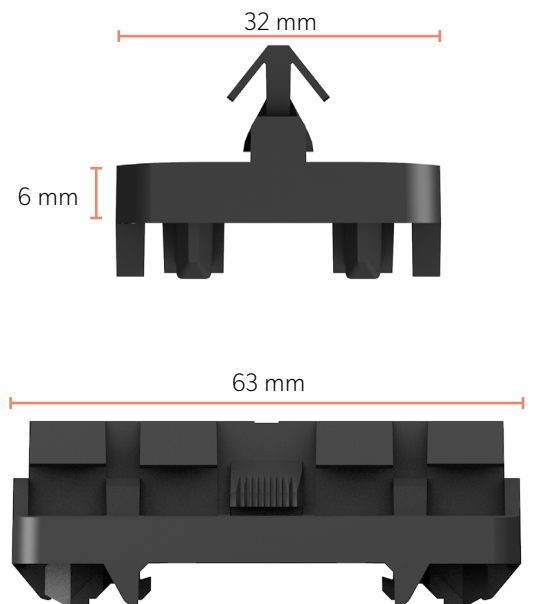
Use : enables board adjustments





SLIDING CLIP

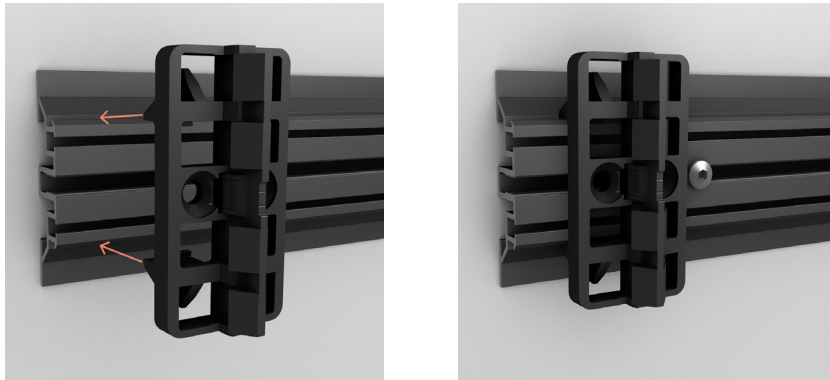
TECHNICAL CHARACTERISTICS

Material	Polyoxymethylene (POM)
Density (kg/m ³)	1410
Colour	Black
Tensile strength (MPa)	64
Melting temperature (C°)	190-220
Elastic modulus (MPa)	2850
Linear expansion coefficient (10 ⁻⁶ /K)	110
Mass (g)	11.7

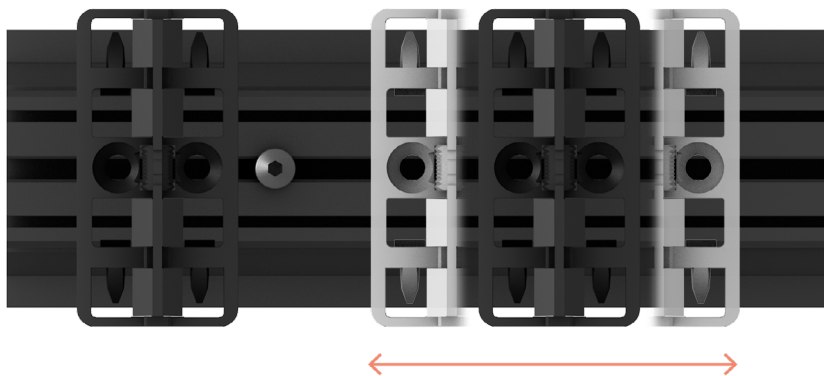
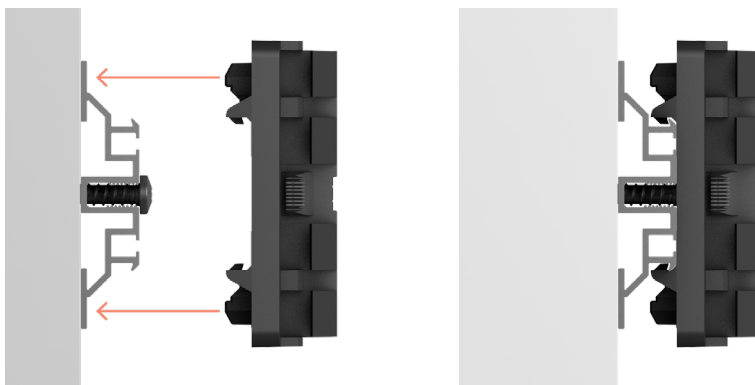


Visual	Kit Ref.	Article Ref.	Quantity	Description	Material
	3308	20388	50	Sliding clip	POM
		72665	50	Torx M5x12 countersunk screw	A2 Stainless steel
	3362	20388	400	Sliding clip	POM

INSTALLATION

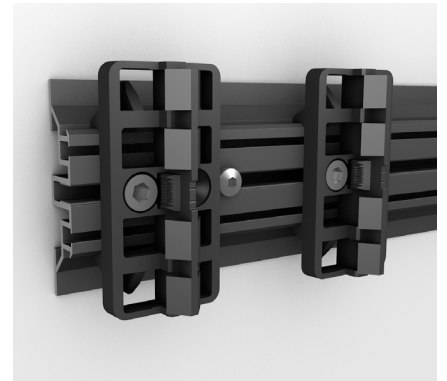
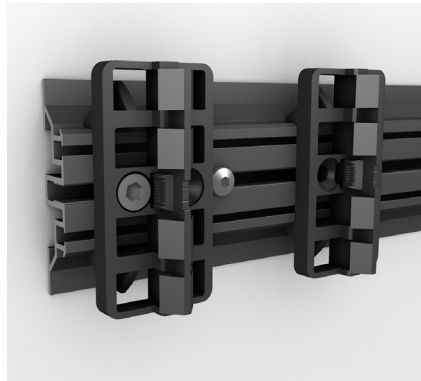
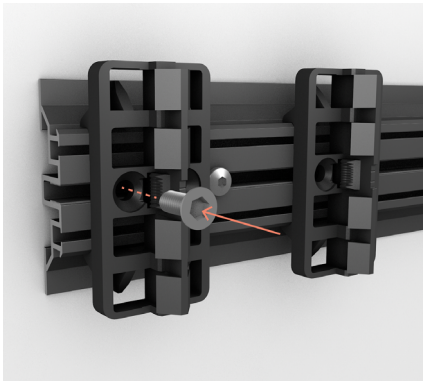


Positioning of the clip on the rail

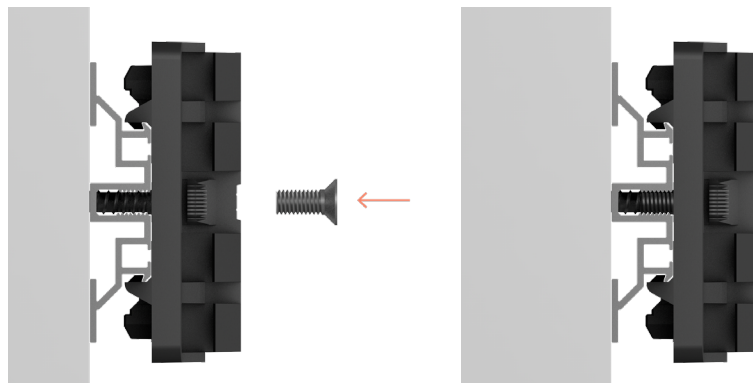


Sliding clips can be positioned manually to adapt to any board width.

SECURING THE CLIP

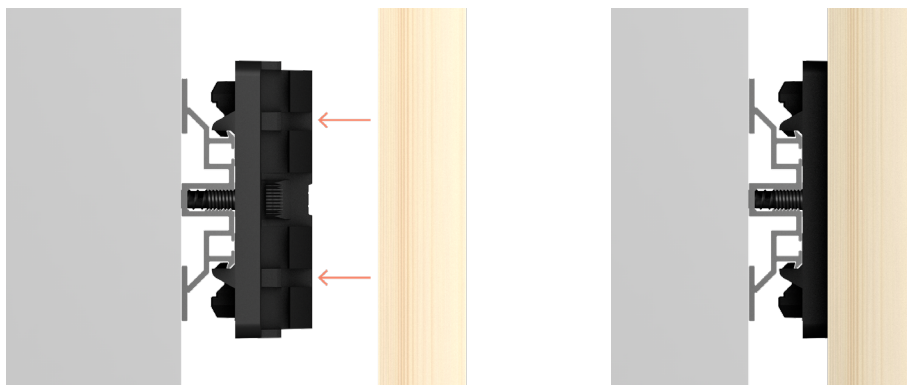


Once positioned, the clip can be held in place with a M5x12 screw inserted into the central groove of the rail (Flat Rail, PR rails)

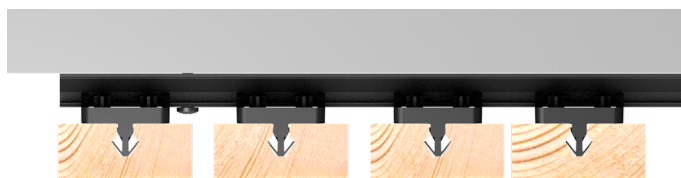


When held in position with a screw, the clip can no longer be removed with the Grad dismantling keys.

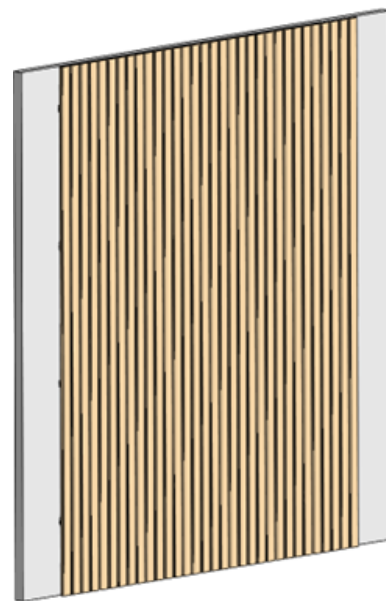
INSTALLING CLADDING BOARDS



Position the board over the clip and apply pressure to attach it to the clip.

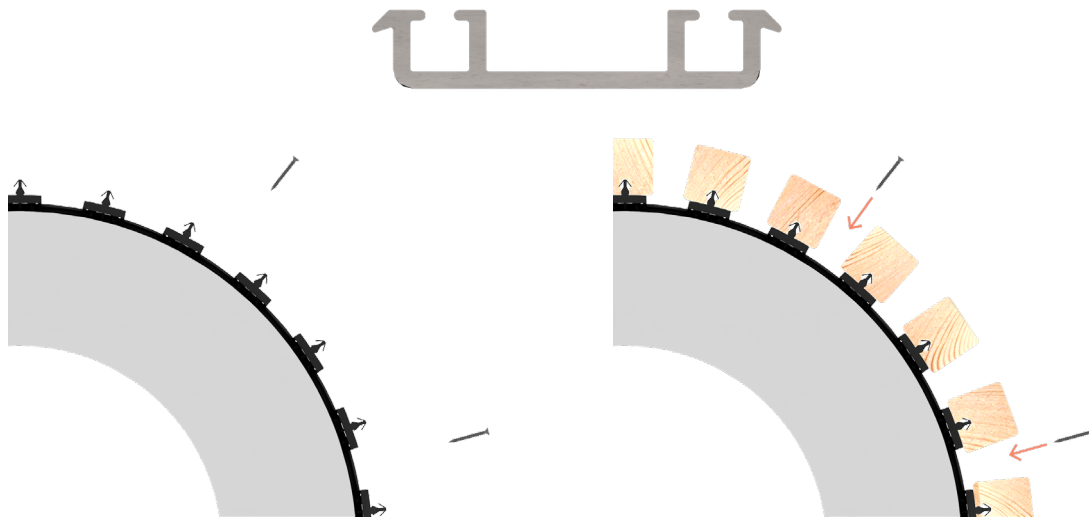


Sliding clips can be used to accentuate or reduce the gap between cladding boards.

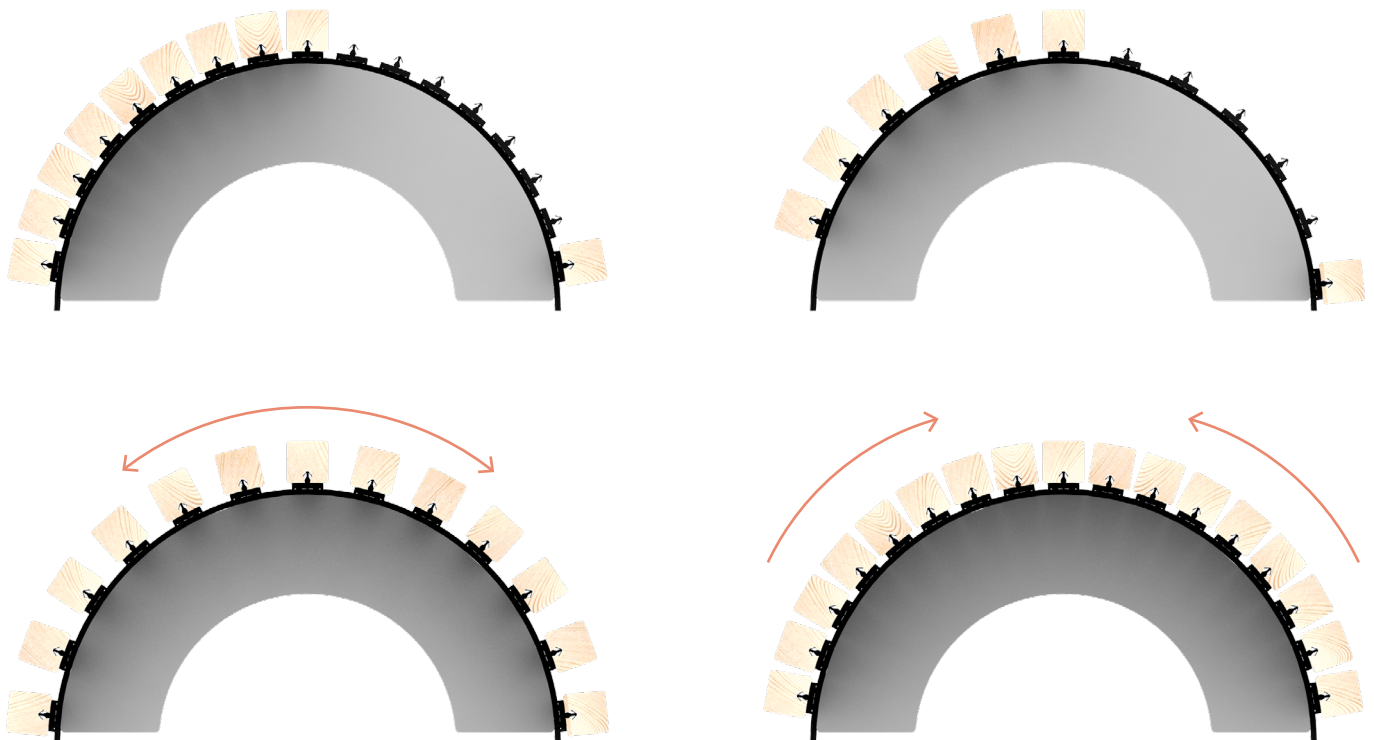


USE WITH MINI RAIL

The absence of a central groove on the Mini Rail requires the use of a perforating screw adapted to the wall material.



The Mini Rail and Sliding Clip can be used to adjust cladding boards to a curved support.



USE IN DECKING: BOARDS OF DIFFERING WIDTHS

In the case of a board of a different width than the rest of the decking boards (for example, 120 mm decking boards and 155 mm ventilation grate), it is possible to adapt the rail by replacing the pre-installed removable Grad clips with sliding clips.

